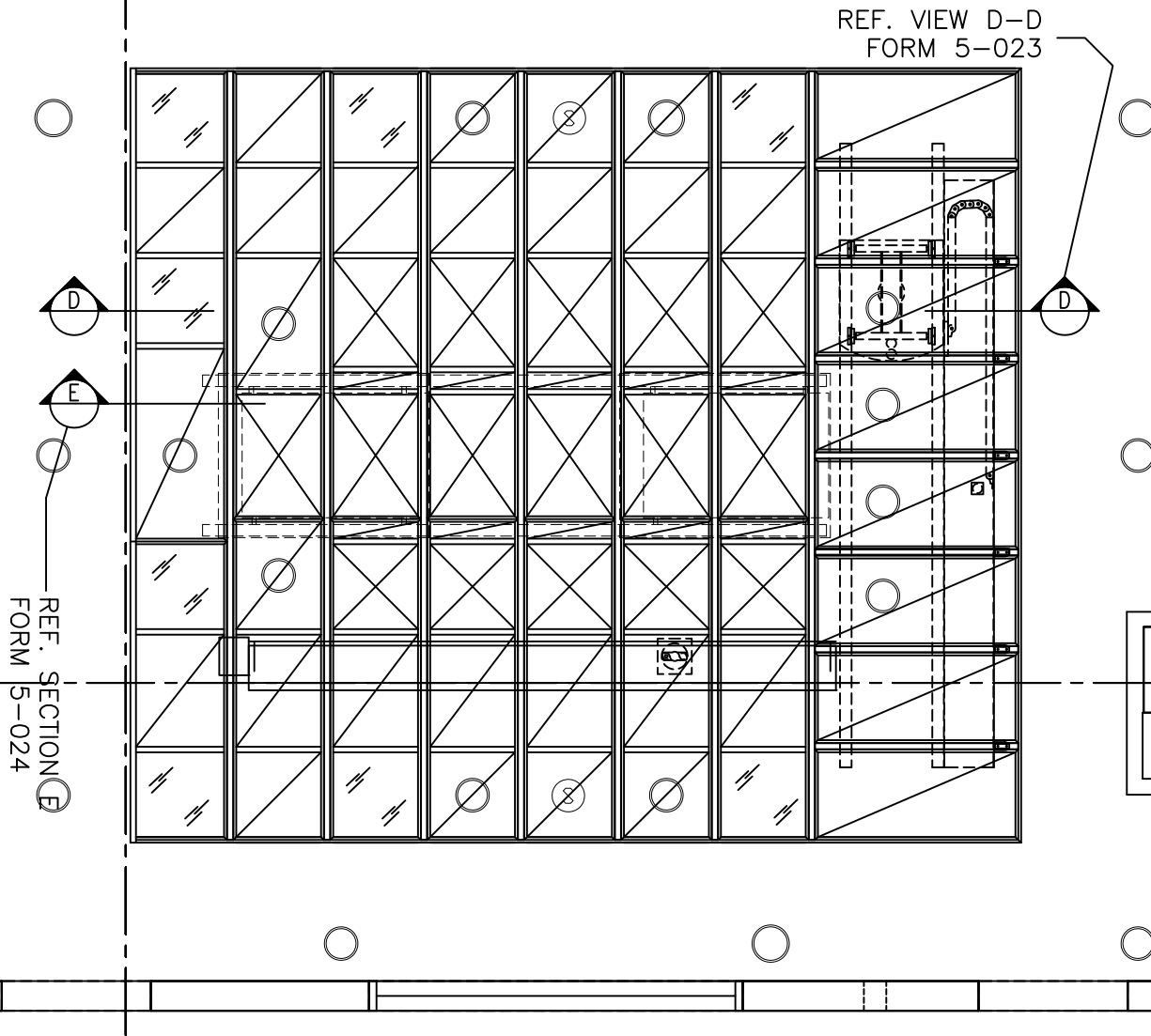


LAMI-AIR™ EQ

INTEGRATED CEILING SYSTEM

SAMPLE REFLECTED CEILING PLAN
MEDICAL EQUIPMENT SHOWN

FACTORY WELDED FRAMING



NOTES:

1. MEDICAL EQUIPMENT RAILS / CARRIAGES (BY OTHERS) SHOWN FOR REFERENCE.
2. OVERALL SIZE OF SYSTEM & DIFFUSER AND FILL-IN PANEL LOCATIONS ARE BASED ON EQUIPMENT LOCATIONS.
3. CONTACT P&P FOR PRELIMINARY DESIGN ASSISTANCE.
4. DIFFUSER LOCATIONS MUST NOT OVERLAP EQUIPMENT RAILS PREVENTING FACEPLATES FROM OPENING.

FORM 5-020, EFFECTIVE 01/2013

JOB: _____
ENGINEER: _____
ARCHITECT: _____
CONTRACTOR: _____



PRECISION AIR PRODUCTS CO.

PHONE: 1-800-404-0931
www.precisionairproducts.com

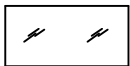
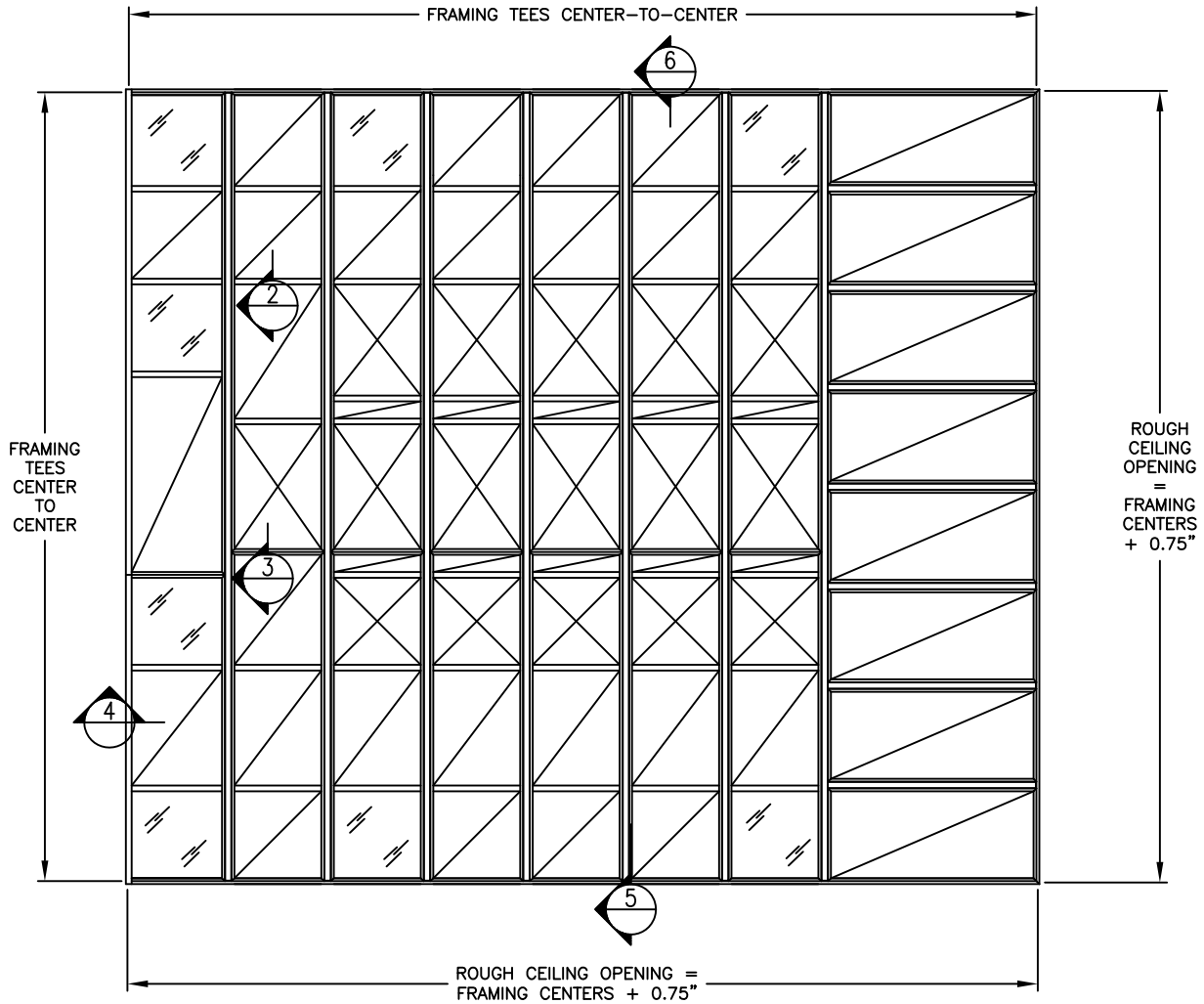
THE ITEMS SHOWN ON THIS DRAWING MAY BE COVERED BY ONE OR MORE PATENTS OF PRECISION AIR PRODUCTS CO. THE DESIGN AND DRAWING ARE THE PROPERTY OF THE CORPORATION AND DUPLICATION IS NOT PERMITTED, EXCEPT WITH WRITTEN CONSENT FROM THE CORPORATION. DIMENSIONS SHOWN ARE SUBJECT TO NORMAL MANUFACTURING TOLERANCES. THIS DRAWING IS FOR SUBMITTAL PURPOSES ONLY AND SUBJECT TO REVISION.

LAMI-AIR™ EQ

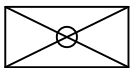
INTEGRATED CEILING SYSTEM

SAMPLE REFLECTED CEILING PLAN
NO EQUIPMENT SHOWN

FACTORY WELDED FRAMING



INDICATES TYPICAL LOCATION OF FLUORESCENT LIGHTING FIXTURE, SUPPLIED BY OTHERS.



INDICATES TYPICAL LOCATION OF LAMI-VENT OR HEPA-VENT DIFFUSER. REFER TO DIFFUSER CUT SHEETS FOR DETAILS.



INDICATES TYPICAL LOCATION OF FILL-IN PANEL, ANY CUT-OUTS REQUIRED IN PANEL TO BE DONE AT JOB-SITE BY INSTALLING CONTRACTOR. REFER TO FILL-IN PANEL CUT SHEETS FOR DETAILS.

NOTES:

1. FRAMING TO BE SUPPLIED IN CUSTOM SIZE FACTORY-WELDED SECTIONS TO FIT BETWEEN CEILING-LEVEL UNISTRUT.

FORM 5-021, EFFECTIVE 01/2013

JOB: _____
ENGINEER: _____
ARCHITECT: _____
CONTRACTOR: _____



PRECISION AIR PRODUCTS CO.

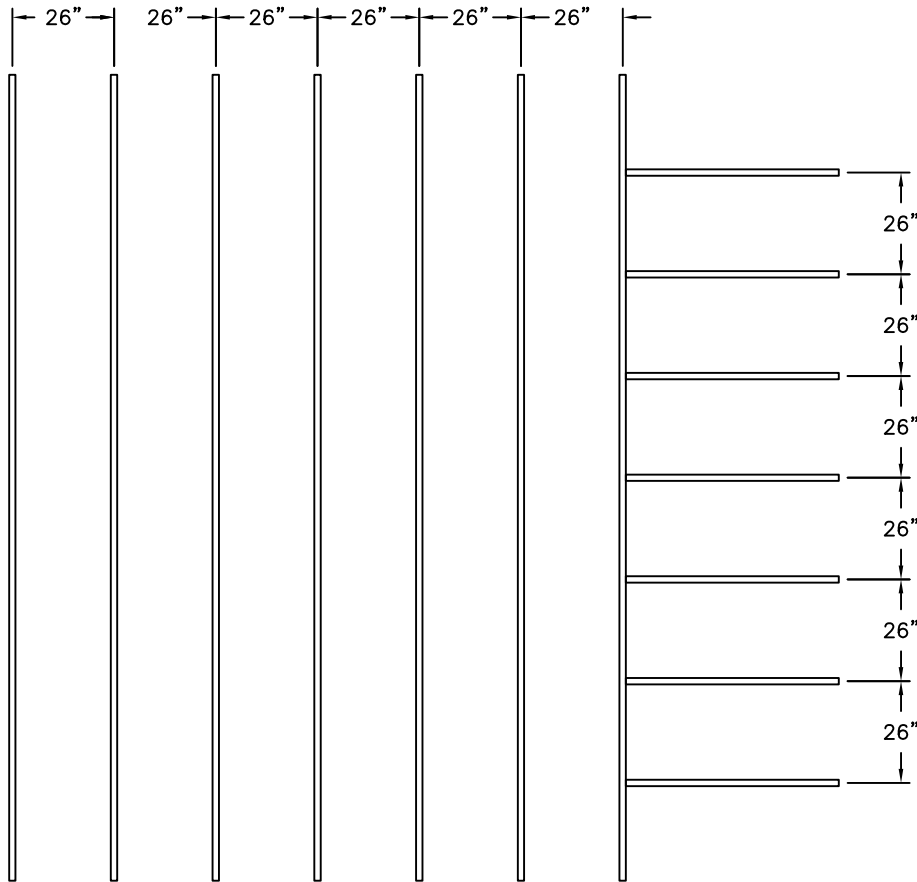
PHONE: 1-800-404-0931
www.precisionairproducts.com

THE ITEMS SHOWN ON THIS DRAWING MAY BE COVERED BY ONE OR MORE PATENTS OF PRECISION AIR PRODUCTS CO. THE DESIGN AND DRAWING ARE THE PROPERTY OF THE CORPORATION AND DUPLICATION IS NOT PERMITTED, EXCEPT WITH WRITTEN CONSENT FROM THE CORPORATION. DIMENSIONS SHOWN ARE SUBJECT TO NORMAL MANUFACTURING TOLERANCES. THIS DRAWING IS FOR SUBMITTAL PURPOSES ONLY AND SUBJECT TO REVISION.

LAMI-AIR™ EQ

INTEGRATED CEILING SYSTEM

SAMPLE CEILING-LEVEL UNISTRUT LAYOUT



NOTE:

1. UNISTRUT LAYOUT SHOWN IS FOR EXAMPLE ONLY. UNISTRUT SPACING TO BE DETERMINED BY MEDICAL EQUIPMENT MANUFACTURER. ARCHITECT/ENGINEER TO REFERENCE MEDICAL EQUIPMENT MANUFACTURERS' SITE-SPECIFIC STRUCTURAL DRAWINGS.
2. TO LOCATE GRID STYLE NOMINAL 24"x24" SIZE FLUORESCENT LIGHT WITHIN STRUT, SPACING OF STRUT MUST BE $26.00 \pm_{0.00}^{0.25}$ ".
3. PAP TO ADVISE APPROXIMATE WEIGHT OF INTEGRATED CEILING SYSTEM FOR STRUCTURAL ENGINEER'S LOAD CALCULATIONS.

FORM 5-022, EFFECTIVE 01/2013

JOB: _____
ENGINEER: _____
ARCHITECT: _____
CONTRACTOR: _____



PRECISION AIR PRODUCTS CO.

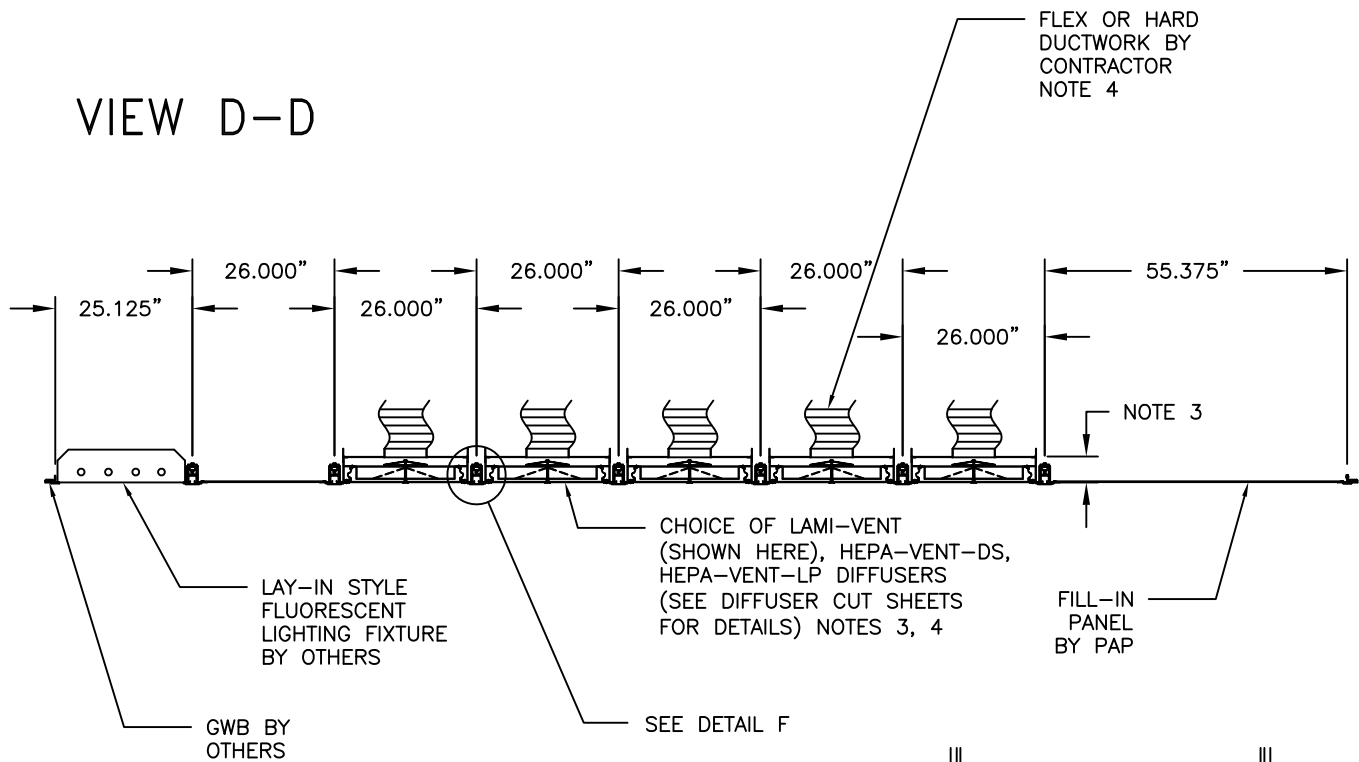
PHONE: 1-800-404-0931
www.precisionairproducts.com

THE ITEMS SHOWN ON THIS DRAWING MAY BE COVERED BY ONE OR MORE PATENTS OF PRECISION AIR PRODUCTS CO. THE DESIGN AND DRAWING ARE THE PROPERTY OF THE CORPORATION AND DUPLICATION IS NOT PERMITTED, EXCEPT WITH WRITTEN CONSENT FROM THE CORPORATION. DIMENSIONS SHOWN ARE SUBJECT TO NORMAL MANUFACTURING TOLERANCES. THIS DRAWING IS FOR SUBMITTAL PURPOSES ONLY AND SUBJECT TO REVISION.

LAMI-AIR™ EQ INTEGRATED CEILING SYSTEM

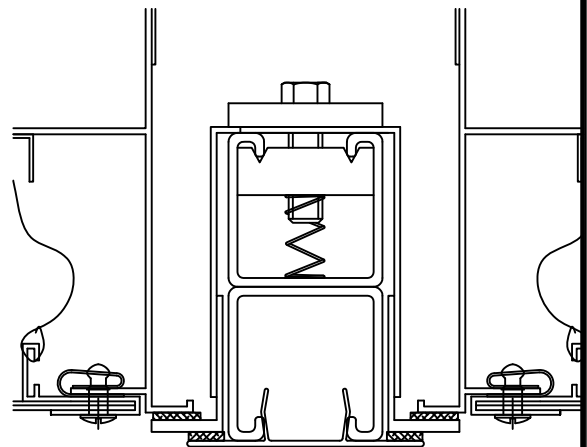
SECTION THROUGH CEILING (SAMPLE)

VIEW D-D



NOTES:

1. SUPPORT METHOD OF STRUCTURAL STEEL AT CEILING LEVEL TO BE DETERMINED BY OTHERS.
2. SUPPORT SUB-STRUCTURE STRUCTURAL STEEL ABOVE CEILING LEVEL SUPPLIED & LOCATED BY OTHERS. CONFIRM LOCATION TO ENSURE NO INTERFERENCE WITH DIFFUSERS & LIGHTING.
3. HEIGHT OF HEPA-VENT-DS DIFFUSER.....9"
 HEIGHT OF LAMI-VENT DIFFUSER.....4¾"
 HEIGHT OF LOW-PROFILE HEPA-VENT DIFFUSER.....5¾"
4. IF LOW-PROFILE HEPA-VENTS ARE USED, CONTRACTORS MUST FURNISH BALANCING DAMPER IN FLEXIBLE DUCT, AS THIS MODEL DOES NOT HAVE ADJUSTMENT VALVE IN DIFFUSER.



DETAIL F
REFER TO SECTION E FOR DETAIL NOTES

FORM 5-023, EFFECTIVE 03/2014

JOB: _____
 ENGINEER: _____
 ARCHITECT: _____
 CONTRACTOR: _____



PRECISION AIR PRODUCTS CO.

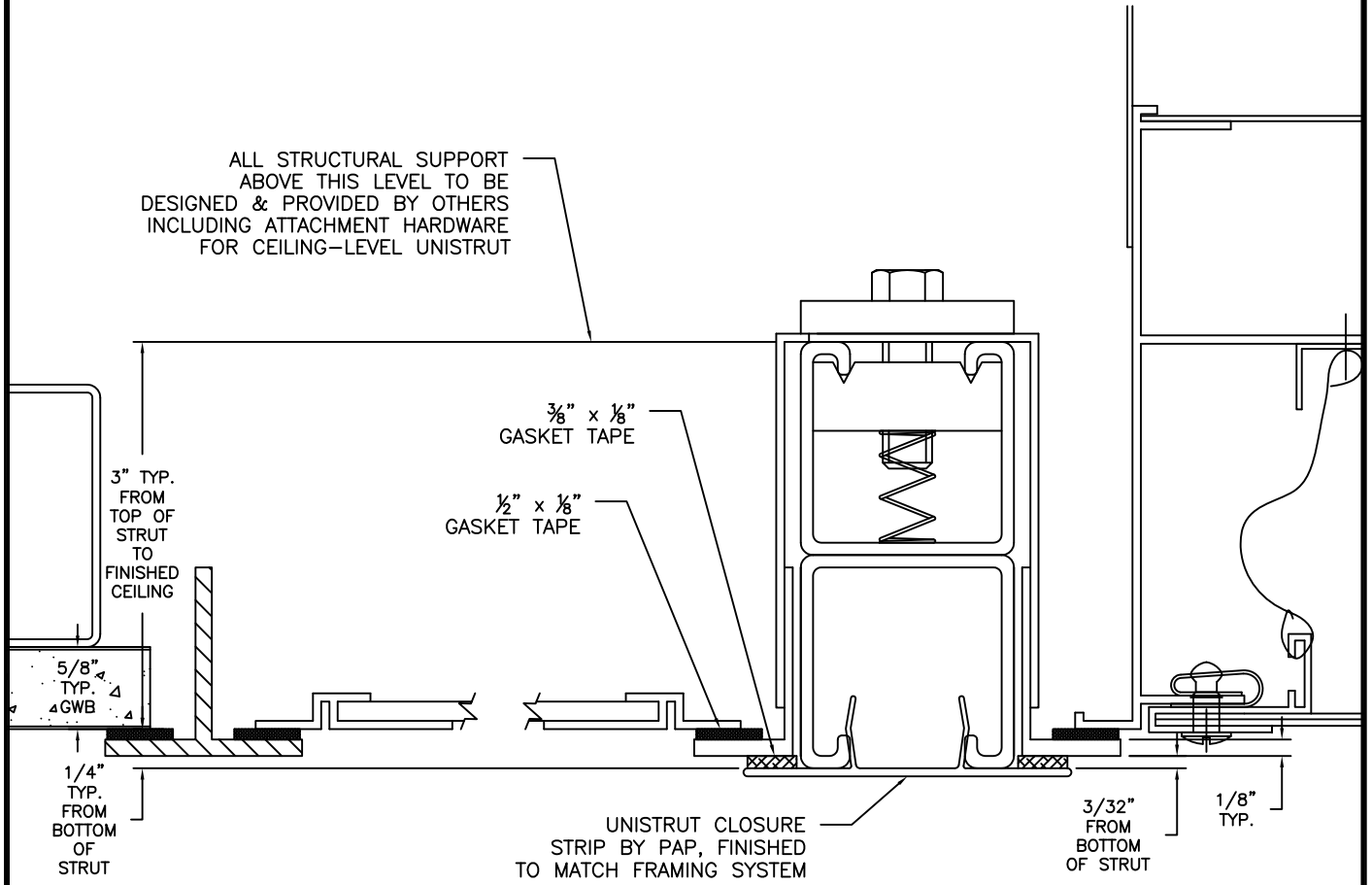
PHONE: 1-800-404-0931
www.precisionairproducts.com

THE ITEMS SHOWN ON THIS DRAWING MAY BE COVERED BY ONE OR MORE PATENTS OF PRECISION AIR PRODUCTS CO. THE DESIGN AND DRAWING ARE THE PROPERTY OF THE CORPORATION AND DUPLICATION IS NOT PERMITTED, EXCEPT WITH WRITTEN CONSENT FROM THE CORPORATION. DIMENSIONS SHOWN ARE SUBJECT TO NORMAL MANUFACTURING TOLERANCES. THIS DRAWING IS FOR SUBMITTAL PURPOSES ONLY AND SUBJECT TO REVISION.

LAMI-AIR™ EQ

INTEGRATED CEILING SYSTEM

UNISTRUT / CEILING FRAMING SECTION DETAIL



SECTION E

NOTE:

1. THE BOTTOM OF THE STRUCTURAL SUPPORT SYSTEM TO WHICH THE UNISTRUT IS TO BE ATTACHED MUST BE INSTALLED TO WITHIN ALLOWABLE ELEVATION TOLERANCES SPECIFIED WITHIN THE EQUIPMENT MANUFACTURER'S DRAWINGS. REFER TO STRUCTURAL DETAILS AND NOTES IN THE MOST CURRENT SET OF THE EQUIPMENT MANUFACTURER'S SITE-SPECIFIC DRAWINGS FOR STRUCTURAL SUPPORT DESIGN CRITERIA AND ALLOWABLE INSTALLATION TOLERANCES.

FORM 5-024, EFFECTIVE 03/2014

JOB: _____
 ENGINEER: _____
 ARCHITECT: _____
 CONTRACTOR: _____



PRECISION AIR PRODUCTS CO.

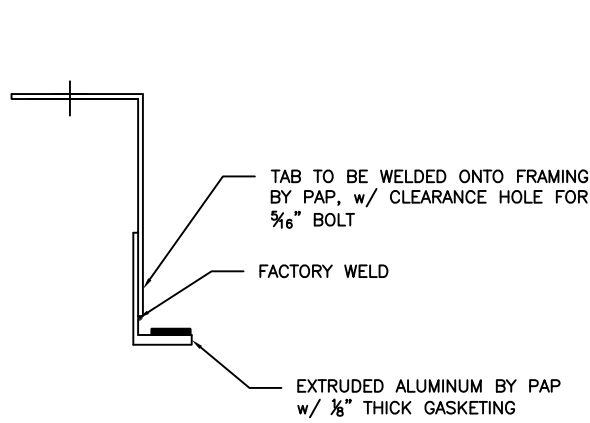
PHONE: 1-800-404-0931
www.precisionairproducts.com

THE ITEMS SHOWN ON THIS DRAWING MAY BE COVERED BY ONE OR MORE PATENTS OF PRECISION AIR PRODUCTS CO. THE DESIGN AND DRAWING ARE THE PROPERTY OF THE CORPORATION AND DUPLICATION IS NOT PERMITTED, EXCEPT WITH WRITTEN CONSENT FROM THE CORPORATION. DIMENSIONS SHOWN ARE SUBJECT TO NORMAL MANUFACTURING TOLERANCES. THIS DRAWING IS FOR SUBMITTAL PURPOSES ONLY AND SUBJECT TO REVISION.

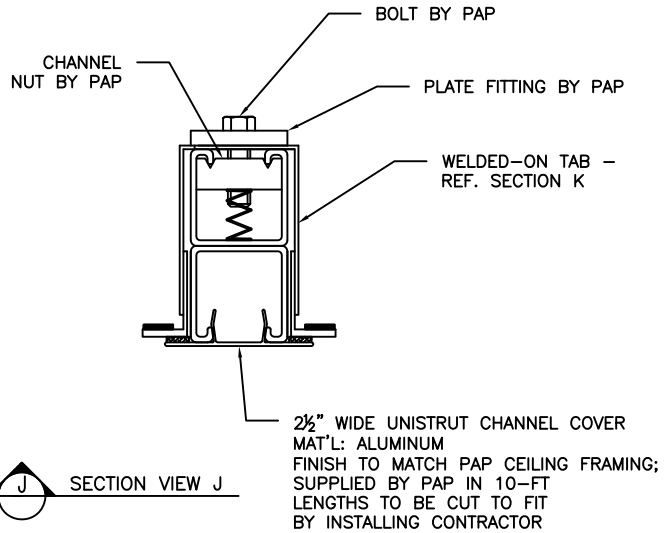
LAMI-AIR™ EQ

INTEGRATED CEILING SYSTEM

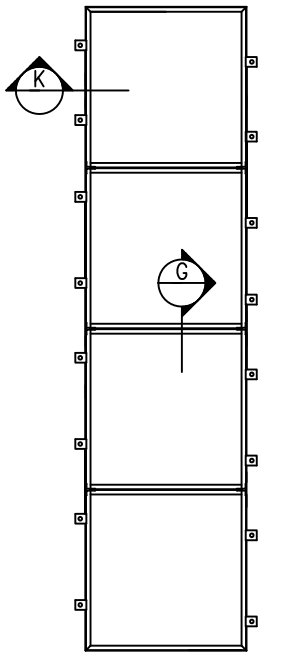
FRAMING SYSTEM DETAILS



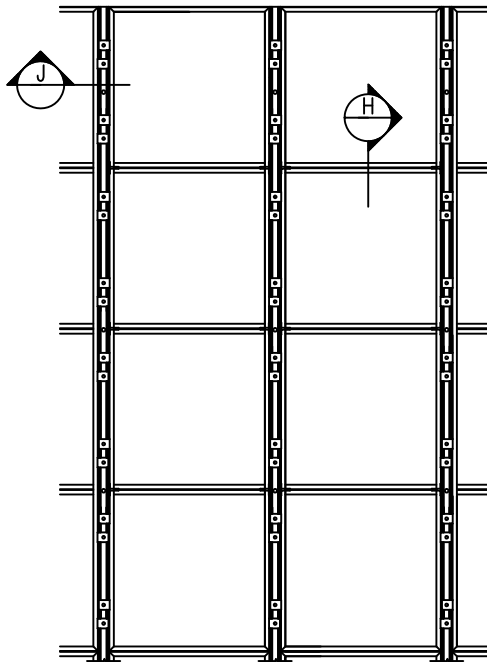
K SECTION VIEW K



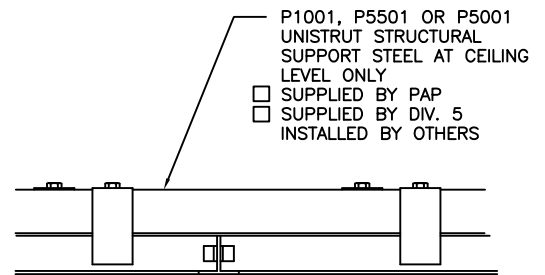
J SECTION VIEW J



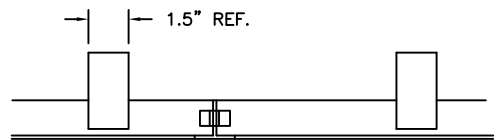
FRAMING SECTION DETAIL



DETAIL OF FRAMING SECTION IN ASSEMBLY WITH CEILING LEVEL UNISTRUT



H SECTION VIEW H



G FRAMING SECTION SECTION VIEW G

FORM 5-025, EFFECTIVE 03/2014

JOB: _____
 ENGINEER: _____
 ARCHITECT: _____
 CONTRACTOR: _____



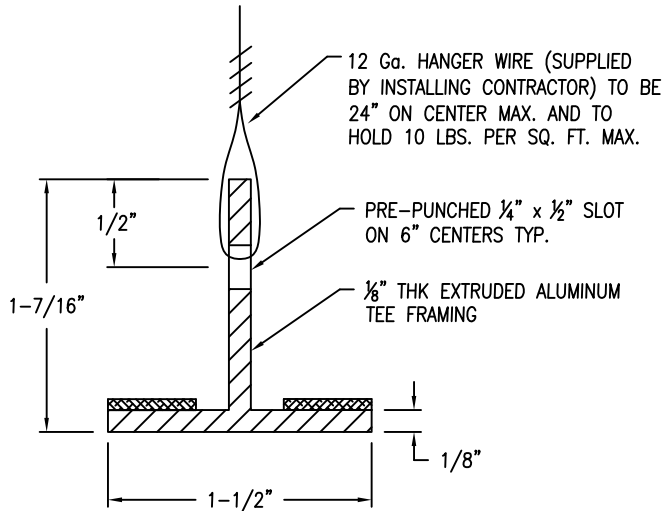
PRECISION AIR PRODUCTS CO.

PHONE: 1-800-404-0931
www.precisionairproducts.com

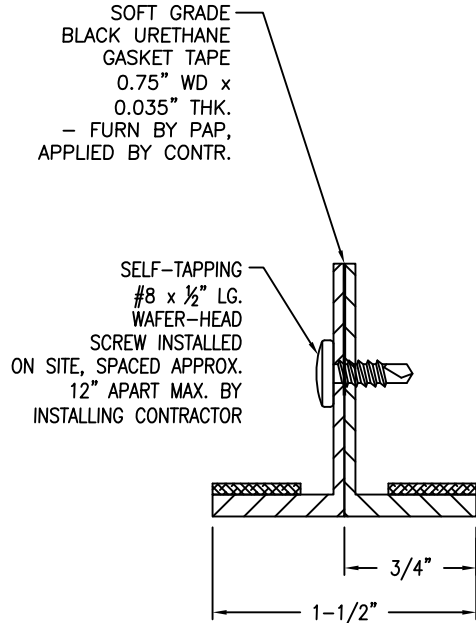
THE ITEMS SHOWN ON THIS DRAWING MAY BE COVERED BY ONE OR MORE PATENTS OF PRECISION AIR PRODUCTS CO. THE DESIGN AND DRAWING ARE THE PROPERTY OF THE CORPORATION AND DUPLICATION IS NOT PERMITTED, EXCEPT WITH WRITTEN CONSENT FROM THE CORPORATION. DIMENSIONS SHOWN ARE SUBJECT TO NORMAL MANUFACTURING TOLERANCES. THIS DRAWING IS FOR SUBMITTAL PURPOSES ONLY AND SUBJECT TO REVISION.

LAMI-AIR™ & LAMI-AIR EQ INTEGRATED CEILING SYSTEM

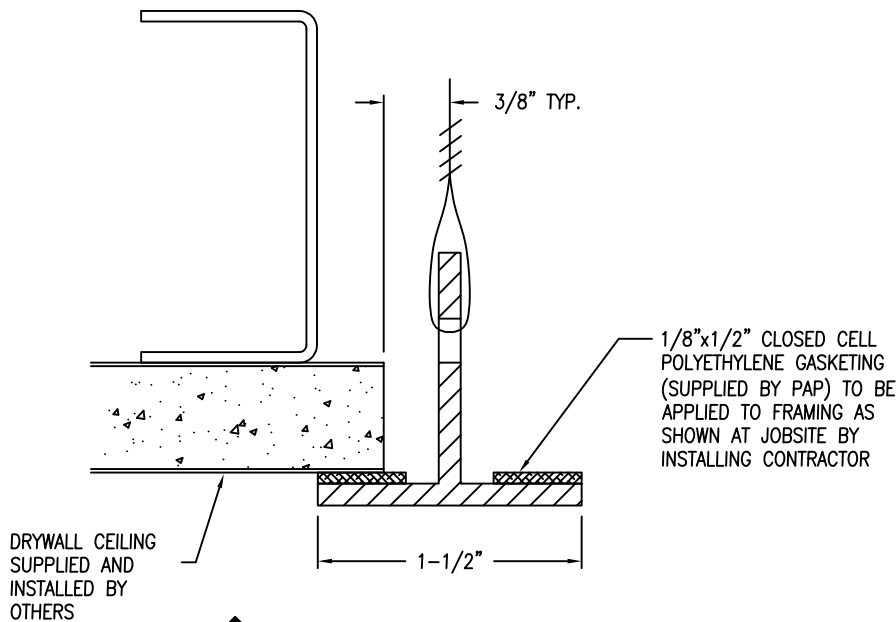
1-1/2" WIDE PROFILE SECTIONS



2 TYP. SECTION THRU TEE WIRE HANGER OPTION



3 SECTION AT BUTTING L's



4 SECTION AT FRAMING PERIMETER

FORM 5-132, EFF. 09/2013

JOB: _____
 ENGINEER: _____
 ARCHITECT: _____
 CONTRACTOR: _____



PRECISION AIR PRODUCTS CO.

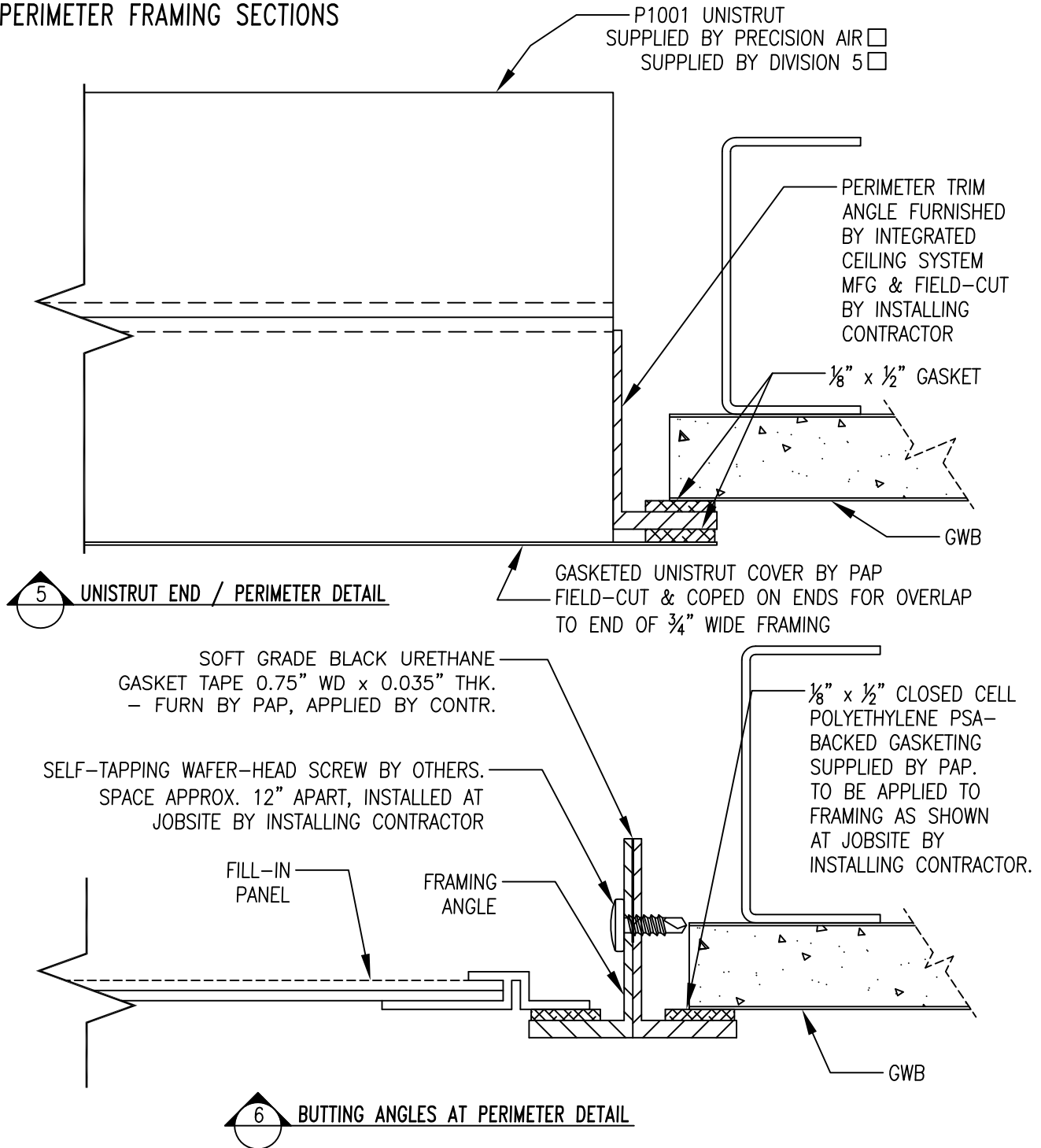
PHONE: 1-800-404-0931
www.precisionairproducts.com

THE ITEMS SHOWN ON THIS DRAWING MAY BE COVERED BY ONE OR MORE PATENTS OF PRECISION AIR PRODUCTS CO. THE DESIGN AND DRAWING ARE THE PROPERTY OF THE CORPORATION AND DUPLICATION IS NOT PERMITTED, EXCEPT WITH WRITTEN CONSENT FROM THE CORPORATION. DIMENSIONS SHOWN ARE SUBJECT TO NORMAL MANUFACTURING TOLERANCES. THIS DRAWING IS FOR SUBMITTAL PURPOSES ONLY AND SUBJECT TO REVISION.

LAMI-AIR™ EQ

INTEGRATED CEILING SYSTEM

PERIMETER FRAMING SECTIONS



FORM 5-026, EFF. 03/2014

JOB: _____
ENGINEER: _____
ARCHITECT: _____
CONTRACTOR: _____



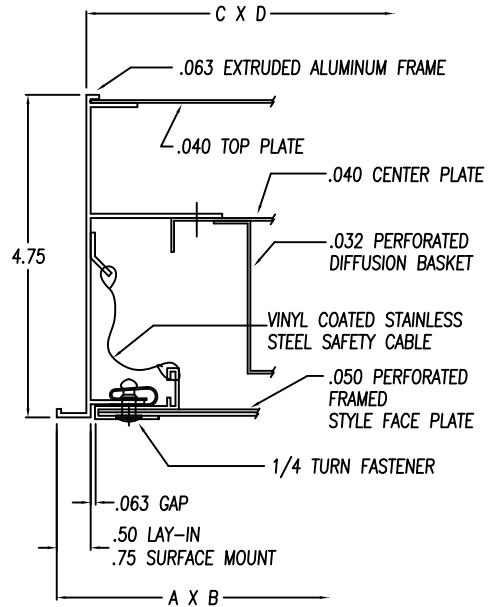
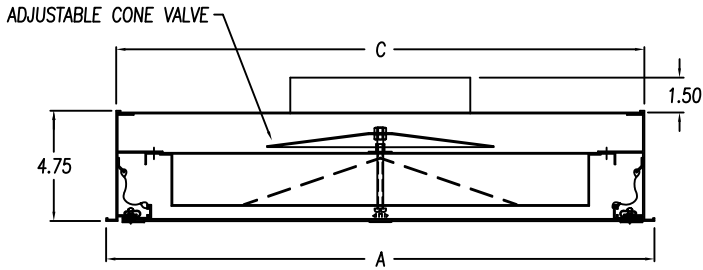
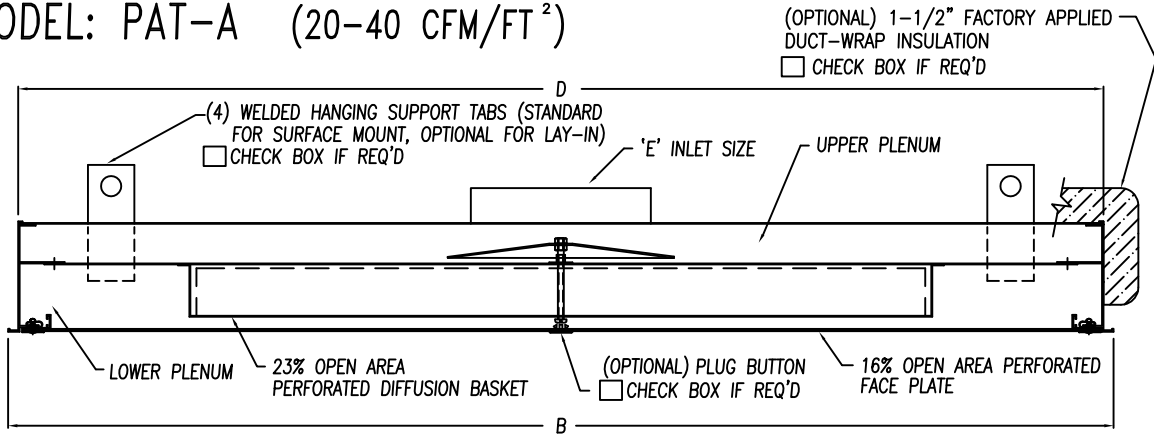
PRECISION AIR PRODUCTS CO.

PHONE: 1-800-404-0931
www.precisionairproducts.com

THE ITEMS SHOWN ON THIS DRAWING MAY BE COVERED BY ONE OR MORE PATENTS OF PRECISION AIR PRODUCTS CO. THE DESIGN AND DRAWING ARE THE PROPERTY OF THE CORPORATION AND DUPLICATION IS NOT PERMITTED, EXCEPT WITH WRITTEN CONSENT FROM THE CORPORATION. DIMENSIONS SHOWN ARE SUBJECT TO NORMAL MANUFACTURING TOLERANCES. THIS DRAWING IS FOR SUBMITTAL PURPOSES ONLY AND SUBJECT TO REVISION.

LAMI-VENT™

MODEL: PAT-A (20-40 CFM/FT²)



LAY - IN MODULE DIMENSIONS (in.)**						
MODEL	'A'	'B'	'C'	'D'	'E'	QNTY.
PAT-1212-A	11.500	11.500	10.625	10.625	ø5.75	
PAT-1224-A	11.500	23.625	10.625	22.750	ø5.75	
PAT-1236-A	11.500	35.750	10.625	34.875	ø5.75	
PAT-1248-A	11.500	47.875	10.625	47.000	ø5.75	
PAT-1260-A	11.500	60.000	10.625	59.125	ø7.75	
PAT-1272-A	11.500	72.125	10.625	71.250	ø7.75	
PAT-2424-A	23.625	23.625	22.750	22.750	ø7.75	
PAT-2436-A	23.625	35.750	22.750	34.875	ø7.75	
PAT-2448-A	23.625	47.875	22.750	47.000	ø7.75	
PAT-2460-A	23.625	60.000	22.750	59.125	ø9.75	
PAT-2472-A	23.625	72.125	22.750	71.250	ø9.75	
PAT-3636-A	35.750	35.750	34.875	34.875	ø9.75	
PAT-3648-A	35.750	47.875	34.875	47.000	ø9.75	
PAT-3660-A	35.750	60.000	34.875	59.125	ø11.75	

** FOR SURFACE-MOUNT UNITS, ADD 0.50" TO DIMS "A" & "B".

NOTES:

- INDICATE FLANGE STYLE:
 L = LAY-IN S = SURFACE-MOUNT
- INDICATE FACEPLATE STYLE:
 F = FRAMED * W = WRAP-AROUND
 * NOT OFFERED IN STAINLESS STEEL
- INDICATE MATERIAL / FINISH:
 0 = ALUMINUM / WHITE BAKED ENAMEL
 1 = ALUMINUM / CLEAR ANODIZED
 2 = ALUMINUM / CLEAR ANODIZED WITH 304 SST FACEPLATE / No. 4 POLISH
 3 = 304 STAINLESS STEEL / No. 4 POLISH ON ROOM-SIDE SURFACES
 4 = ALUMINUM DIFFUSER / WHITE BAKED ENAMEL WITH 304 SST FACEPLATE / No. 4 POLISH
- ALL DIMENSIONS SHOWN IN INCHES.

FORM 4-120, EFFECTIVE 01/2013

JOB: _____
 ENGINEER: _____
 ARCHITECT: _____
 CONTRACTOR: _____



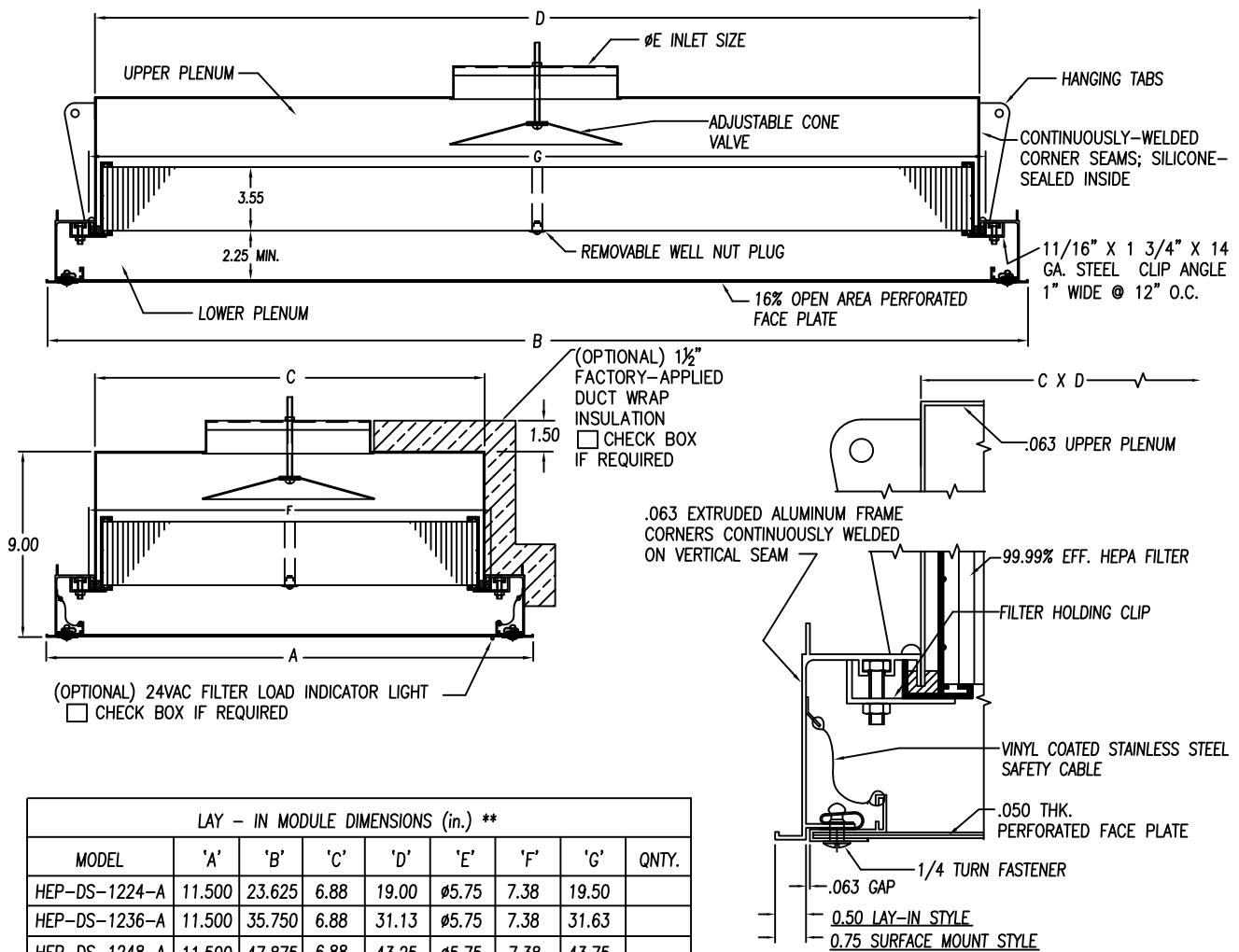
PRECISION AIR PRODUCTS CO.

PHONE: 1-800-404-0931
www.precisionairproducts.com

THE ITEMS SHOWN ON THIS DRAWING MAY BE COVERED BY ONE OR MORE PATENTS OF PRECISION AIR PRODUCTS CO. THE DESIGN AND DRAWING ARE THE PROPERTY OF THE CORPORATION AND DUPLICATION IS NOT PERMITTED, EXCEPT WITH WRITTEN CONSENT FROM THE CORPORATION. DIMENSIONS SHOWN ARE SUBJECT TO NORMAL MANUFACTURING TOLERANCES. THIS DRAWING IS FOR SUBMITTAL PURPOSES ONLY AND SUBJECT TO REVISION.

HEPA-VENT DS

MODEL: HEP-DS-A (20-40 CFM/FT²)



LAY - IN MODULE DIMENSIONS (in.) **								
MODEL	'A'	'B'	'C'	'D'	'E'	'F'	'G'	QNTY.
HEP-DS-1224-A	11.500	23.625	6.88	19.00	Ø5.75	7.38	19.50	
HEP-DS-1236-A	11.500	35.750	6.88	31.13	Ø5.75	7.38	31.63	
HEP-DS-1248-A	11.500	47.875	6.88	43.25	Ø5.75	7.38	43.75	
HEP-DS-2424-A	23.625	23.625	19.00	19.00	Ø7.75	19.50	19.50	
HEP-DS-2436-A	23.625	35.750	19.00	31.13	Ø7.75	19.50	31.63	
HEP-DS-2448-A	23.625	47.875	19.00	43.25	Ø7.75	19.50	43.75	
HEP-DS-2448-A					Ø9.75			
HEP-DS-2460-A	23.625	60.000	19.00	55.38	Ø9.75	19.50	55.88	
HEP-DS-2472-A	23.625	72.125	19.00	67.50	Ø11.75	19.50	68.00	
HEP-DS-3636-A	35.750	35.750	31.13	31.13	Ø9.75	31.63	31.63	
HEP-DS-3648-A	35.750	47.875	31.13	43.25	Ø11.75	31.63	43.75	
HEP-DS-3660-A	35.750	60.000	31.13	55.38	Ø11.75	31.63	55.88	

** FOR SURFACE MOUNT UNITS, ADD 0.50" TO DIMS "A" & "B".
 PACKAGING NOTE: FACEPLATE & INLET COLLAR PROTECTED WITH SELF-ADHESIVE PLASTIC MATERIAL.

NOTES:

- INDICATE FLANGE STYLE:
 L = LAY-IN S = SURFACE-MOUNT
- INDICATE FACEPLATE STYLE:
 F = FRAMED * W = WRAP-AROUND
 * NOT OFFERED IN STAINLESS STEEL
- INDICATE MATERIAL / FINISH:
 0 = ALUMINUM / WHITE BAKED ENAMEL
 1 = ALUMINUM / CLEAR ANODIZED
 2 = ALUMINUM / CLEAR ANODIZED WITH 304 SST FACEPLATE / No. 4 POLISH
 3 = 304 STAINLESS STEEL / No. 4 POLISH ON ROOM-SIDE SURFACES (SIMILAR PROFILE)
 4 = ALUMINUM DIFFUSER / WHITE BAKED ENAMEL WITH 304 SST FACEPLATE / No. 4 POLISH
- ALL DIMENSIONS SHOWN IN INCHES.

FORM 4-232, EFFECTIVE 01/2013

JOB: _____
 ENGINEER: _____
 ARCHITECT: _____
 CONTRACTOR: _____



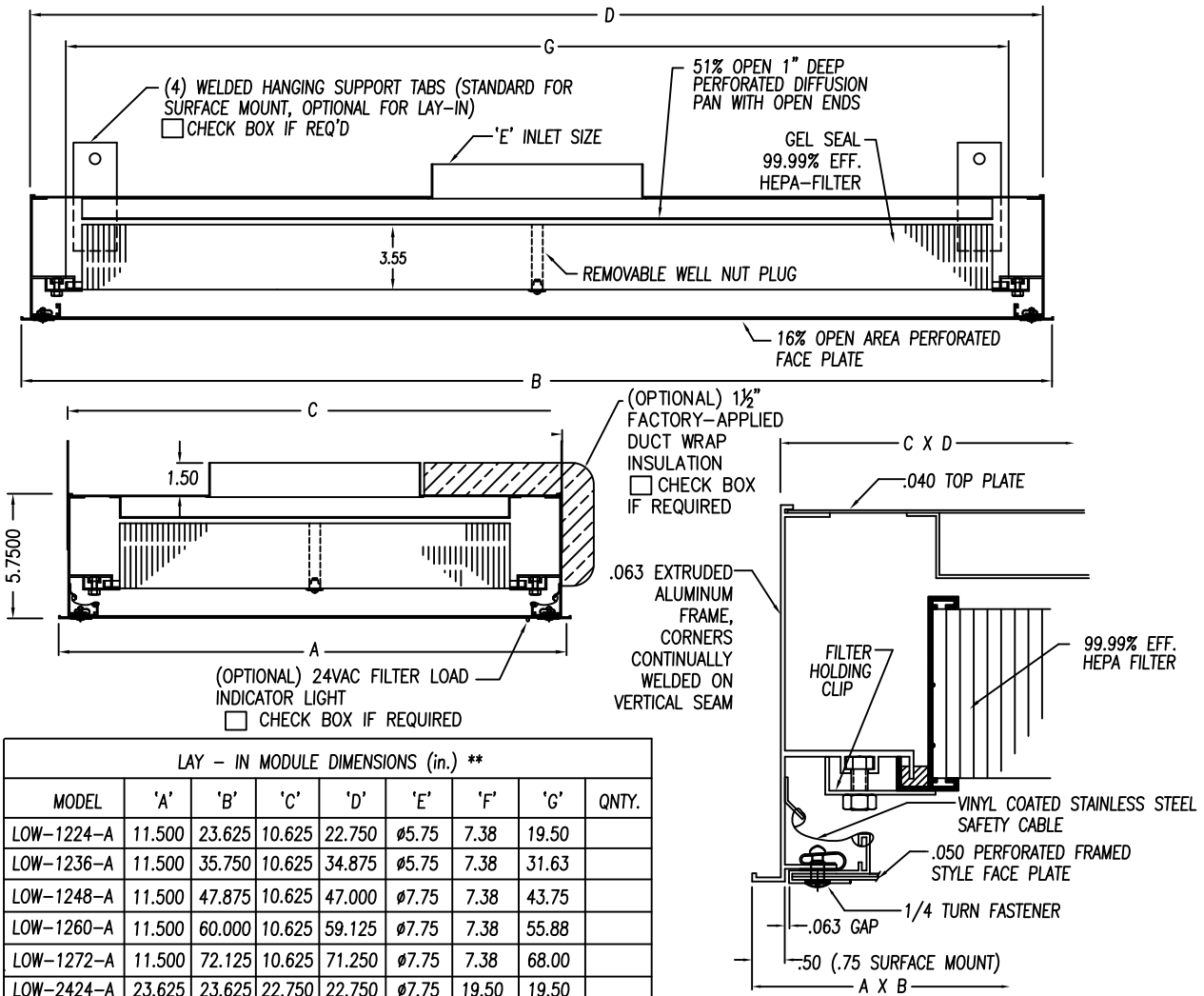
PRECISION AIR PRODUCTS CO.

PHONE: 1-800-404-0931
 www.precisionairproducts.com

THE ITEM SHOWN ON THIS DRAWING MAY BE COVERED BY ONE OR MORE PATENTS OF PRECISION AIR PRODUCTS CO. THE DESIGN AND DRAWING ARE THE PROPERTY OF THE CORPORATION AND DUPLICATION IS NOT PERMITTED EXCEPT WITH WRITTEN CONSENT FROM THE CORPORATION. DIMENSIONS SHOWN ARE SUBJECT TO NORMAL MANUFACTURING TOLERANCES. THIS DRAWING IS FOR SUBMITTAL PURPOSES ONLY AND SUBJECT TO REVISION.

LOW PROFILE HEPA-VENT

MODEL: LOW-A (20-40 CFM/FT²)



LAY - IN MODULE DIMENSIONS (in.) **

MODEL	'A'	'B'	'C'	'D'	'E'	'F'	'G'	QNTY.
LOW-1224-A	11.500	23.625	10.625	22.750	Ø5.75	7.38	19.50	
LOW-1236-A	11.500	35.750	10.625	34.875	Ø5.75	7.38	31.63	
LOW-1248-A	11.500	47.875	10.625	47.000	Ø7.75	7.38	43.75	
LOW-1260-A	11.500	60.000	10.625	59.125	Ø7.75	7.38	55.88	
LOW-1272-A	11.500	72.125	10.625	71.250	Ø7.75	7.38	68.00	
LOW-2424-A	23.625	23.625	22.750	22.750	Ø7.75	19.50	19.50	
LOW-2436-A	23.625	35.750	22.750	34.875	Ø7.75	19.50	31.63	
LOW-2448-A	23.625	47.875	22.750	47.000	Ø7.75	19.50	43.75	
LOW-2448-A					Ø9.75			
LOW-2460-A	23.625	60.000	22.750	59.125	Ø9.75	19.50	55.88	
LOW-2472-A	23.625	72.125	22.750	71.250	Ø11.75	19.50	68.00	
LOW-3636-A	35.750	35.750	34.875	34.875	Ø9.75	31.63	31.63	
LOW-3648-A	35.750	47.875	34.875	47.000	Ø11.75	31.63	43.75	
LOW-3660-A	35.750	60.000	34.875	59.125	Ø11.75	31.63	55.88	

** FOR SURFACE MOUNT UNITS, ADD 0.50" TO DIMS "A" & "B".

PACKAGING NOTE: FACEPLATE & INLET COLLAR PROTECTED WITH SELF-ADHESIVE PLASTIC MATERIAL.

NOTES:

- INDICATE FLANGE STYLE:
 L = LAY-IN S = SURFACE-MOUNT
- INDICATE FACEPLATE STYLE:
 F = FRAMED * W = WRAP-AROUND
 * NOT OFFERED IN STAINLESS STEEL
- INDICATE MATERIAL / FINISH:
 0 = ALUMINUM / WHITE BAKED ENAMEL
 1 = ALUMINUM / CLEAR ANODIZED
 2 = ALUMINUM / CLEAR ANODIZED WITH 304 SST FACEPLATE / No. 4 POLISH
 4 = ALUMINUM DIFFUSER / WHITE BAKED ENAMEL WITH 304 SST FACEPLATE / No. 4 POLISH
- ALL DIMENSIONS SHOWN IN INCHES.

FORM 4-229, EFFECTIVE 01/2013

JOB: _____
 ENGINEER: _____
 ARCHITECT: _____
 CONTRACTOR: _____



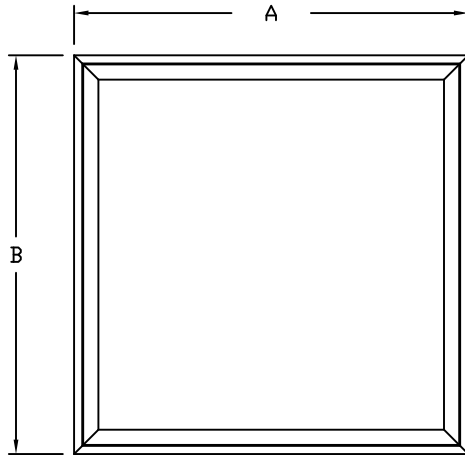
PRECISION AIR PRODUCTS CO.

PHONE: 1-800-404-0931
 www.precisionairproducts.com

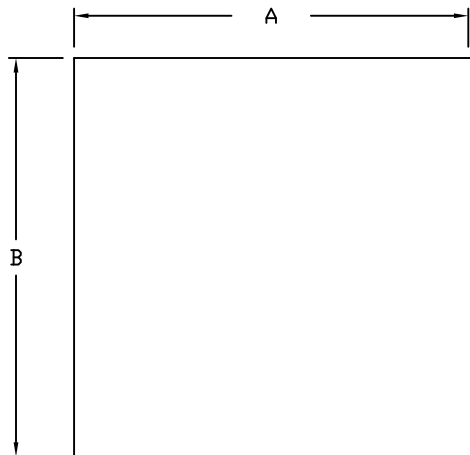
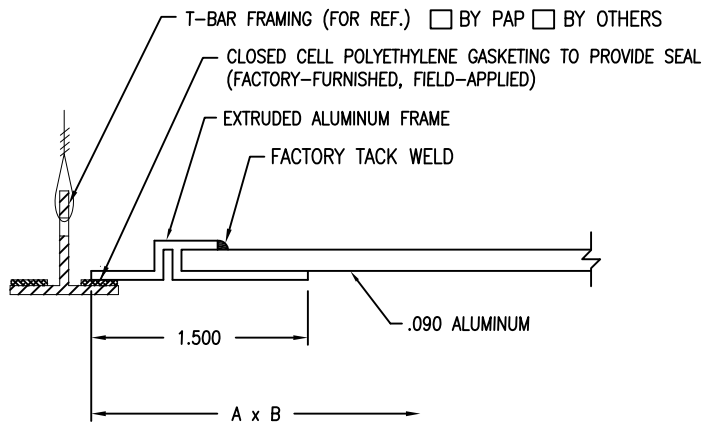
THE ITEMS SHOWN ON THIS DRAWING MAY BE COVERED BY ONE OR MORE PATENTS OF PRECISION AIR PRODUCTS CO. THE DESIGN AND DRAWING ARE THE PROPERTY OF THE CORPORATION AND DUPLICATION IS NOT PERMITTED, EXCEPT WITH WRITTEN CONSENT FROM THE CORPORATION. DIMENSIONS SHOWN ARE SUBJECT TO NORMAL MANUFACTURING TOLERANCES. THIS DRAWING IS FOR SUBMITTAL PURPOSES ONLY AND SUBJECT TO REVISION.

FILL-IN PANELS WITH SOLID FACE

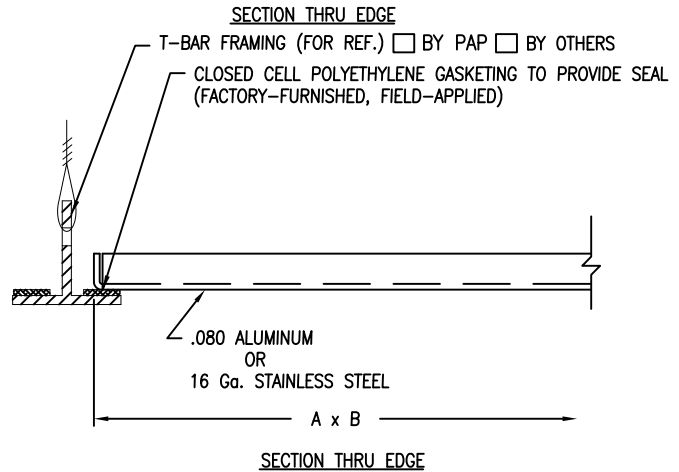
MODEL SFP



FRAMED STYLE



WRAP AROUND STYLE



NOTES:

1. INDICATE MATERIAL
 ALL ALUM.
 ALL 304 S.S.*
2. INDICATE FINISH TO MATCH DIFFUSERS:
 WHITE BAKED ENAMEL CLEAR ANODIZED
 #4 POLISHED S.S.
3. INDICATE FACEPLATE STYLE:
 * FRAMED WRAPAROUND
 * NOT OFFERED IN STAINLESS STEEL

MODEL	'A'	'B'	QNTY	MODEL	'A'	'B'	QNTY	MODEL	'A'	'B'	QNTY
SFP-1212	11.500	11.500		SFP-2424	23.625	23.625		SFP-3636	35.750	35.750	
SFP-1224	11.500	23.625		SFP-2436	23.625	35.750		SFP-3648	35.750	47.875	
SFP-1236	11.500	35.750		SFP-2448	23.625	47.875		SFP-3660	35.750	60.000	
SFP-1248	11.500	47.875		SFP-2460	23.625	60.000		SFP-3672	35.750	72.125	
SFP-1260	11.500	60.000		SFP-2472	23.625	72.125		SFP-4848	47.875	47.875	
SFP-1272	11.500	72.125									

FORM 5-130, EFF. 03/2014

JOB: _____
 ENGINEER: _____
 ARCHITECT: _____
 CONTRACTOR: _____



PRECISION AIR PRODUCTS CO.

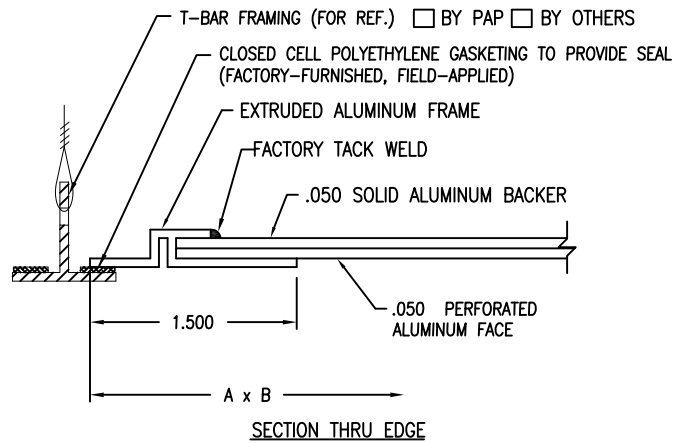
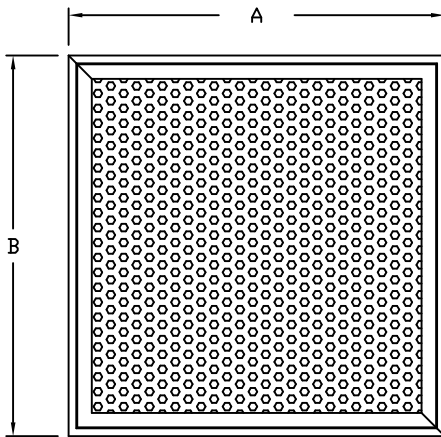
PHONE: 1-800-404-0931
www.precisionairproducts.com

THE ITEMS SHOWN ON THIS DRAWING MAY BE COVERED BY ONE OR MORE PATENTS OF PRECISION AIR PRODUCTS CO. THE DESIGN AND DRAWING ARE THE PROPERTY OF THE CORPORATION AND DUPLICATION IS NOT PERMITTED, EXCEPT WITH WRITTEN CONSENT FROM THE CORPORATION. DIMENSIONS SHOWN ARE SUBJECT TO NORMAL MANUFACTURING TOLERANCES. THIS DRAWING IS FOR SUBMITTAL PURPOSES ONLY AND SUBJECT TO REVISION.

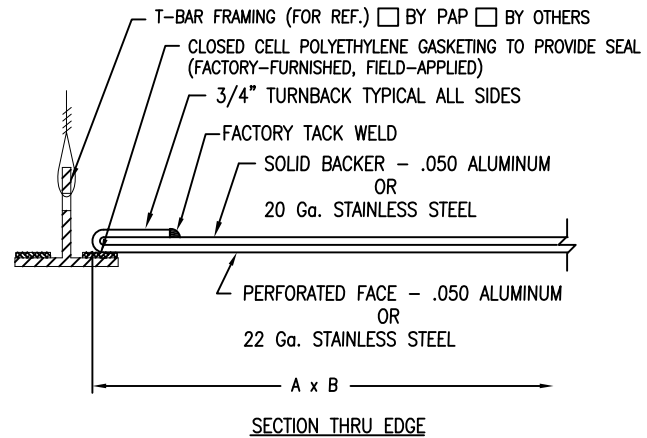
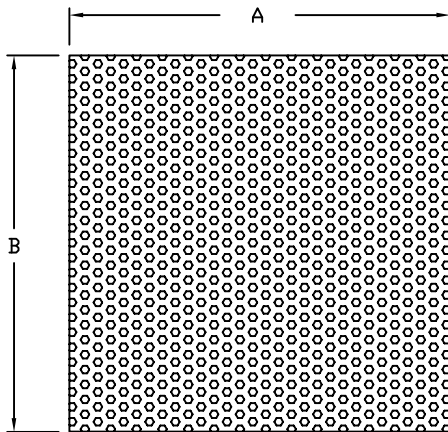
FILL-IN PANELS

WITH PERFORATED FACE

MODEL PFP



FRAMED STYLE, TO MATCH DIFFUSERS WITH FRAMED STYLE FACEPLATE



WRAP AROUND STYLE, TO MATCH DIFFUSERS WITH WRAP AROUND STYLE FACEPLATE

NOTES:

1. INDICATE MATERIAL
 ALL ALUM.
 ALL 304 S.S.*
2. INDICATE FINISH TO MATCH DIFFUSERS:
 WHITE BAKED ENAMEL CLEAR ANODIZED
 #4 POLISHED S.S.
3. INDICATE FACEPLATE STYLE:
 *FRAMED WRAPAROUND
 * NOT OFFERED IN STAINLESS STEEL
4. INDICATE PERFORATION PATTERN REQUIRED:
 16% OPEN 23% OPEN 33% OPEN

MODEL	'A'	'B'	QNTY	MODEL	'A'	'B'	QNTY	MODEL	'A'	'B'	QNTY
PFP-1212	11.500	11.500		PFP-2424	23.625	23.625		PFP-3636	35.750	35.750	
PFP-1224	11.500	23.625		PFP-2436	23.625	35.750		PFP-3648	35.750	47.875	
PFP-1236	11.500	35.750		PFP-2448	23.625	47.875		PFP-3660	35.750	60.000	
PFP-1248	11.500	47.875		PFP-2460	23.625	60.000		PFP-3672	35.750	72.125	
PFP-1260	11.500	60.000		PFP-2472	23.625	72.125		PFP-4848	47.875	47.875	
PFP-1272	11.500	72.125									

FORM 5-131, EFF. 03/2014

JOB: _____
 ENGINEER: _____
 ARCHITECT: _____
 CONTRACTOR: _____



PRECISION AIR PRODUCTS CO.

PHONE: 1-800-404-0931
www.precisionairproducts.com

THE ITEMS SHOWN ON THIS DRAWING MAY BE COVERED BY ONE OR MORE PATENTS OF PRECISION AIR PRODUCTS CO. THE DESIGN AND DRAWING ARE THE PROPERTY OF THE CORPORATION AND DUPLICATION IS NOT PERMITTED, EXCEPT WITH WRITTEN CONSENT FROM THE CORPORATION. DIMENSIONS SHOWN ARE SUBJECT TO NORMAL MANUFACTURING TOLERANCES. THIS DRAWING IS FOR SUBMITTAL PURPOSES ONLY AND SUBJECT TO REVISION.